



Shown: 10" model.

**MODEL NUMBER**

1020

**DESCRIPTION**

Czech, English cut, clear glass beads, trapped in stainless wire cloth, lined with glass. Cable or rigid stem suspension.

**FINISH**

Satin nickel.

**SHADE**

Clear glass beads.

Interior lining: Opal white glass (only).

**DIMENSIONS      MIN OAL      NET WT**

1020.8  
8"W x 8"L x 8"H      14" Min. OAL      10 lbs.  
Ceiling Plate: 4.5"Ø x 1"D

1020.10  
10"W x 10"L x 15"H      20" Min. OAL      27 lbs.  
Ceiling Plate: 4.5"Ø x 1"D

**VOLTAGE / LAMP TYPE**

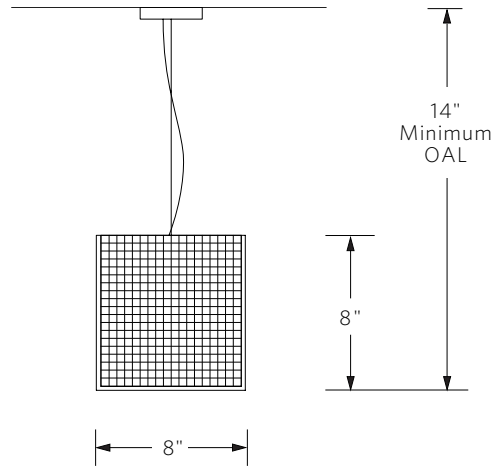
1020.8  
120V, 9W, GU24 base, A19 LED lamp, frosted.  
2,700°K, 92 CRI, 800 lumens.

1020.10  
120V, 17W, E26 base, A21 LED lamp, frosted.  
2,700°K, 92 CRI, 1,600 lumens.

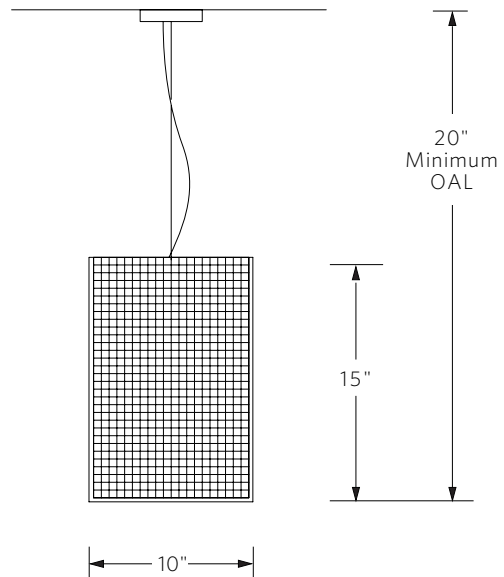
CA Title 24-JA8-2016

**PLEASE SPECIFY**

Cable or rigid stem suspension & OAL (net price includes cable/stem for an OAL of up to 48"). Refer to price book for additional cable/stem length. Cable OAL can be adjusted in the field at installation.



**Model 1020.8**



**Model 1020.10**