

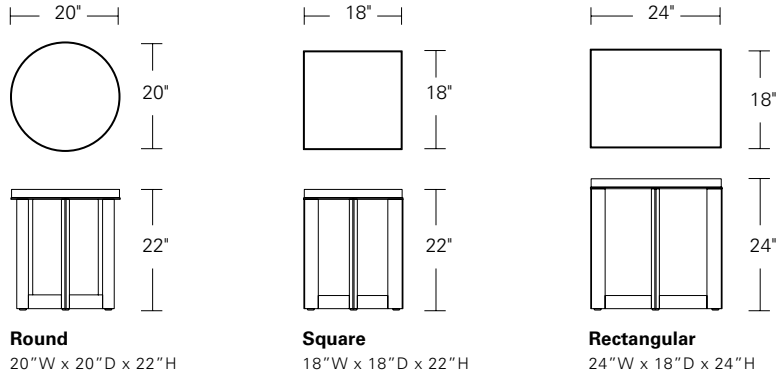


**FRETWORK SIDE TABLES**

Shown in optional solid Claro Walnut and Satin Brass inlay.

Fretwork Side Tables are available in round, square and rectangular formats in two standard heights. The solid wood open frame work and table top are embellished with a raised metal inlay. These side tables are available in a variety of standard sizes, wood and metal finishes.

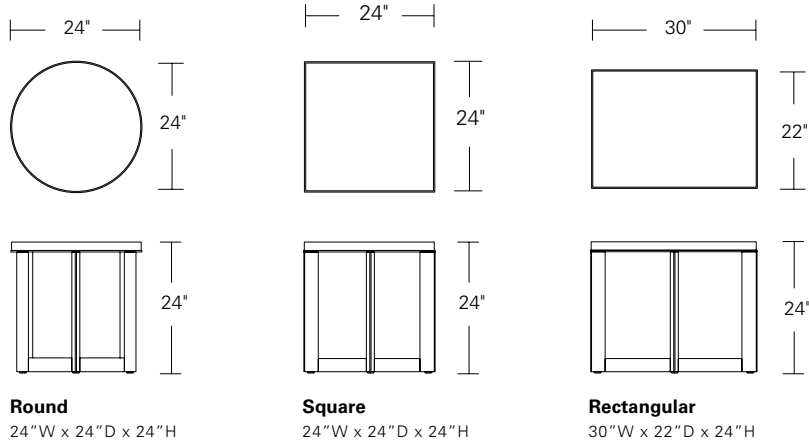
**Round: 20W x 20D x 22H**  
**Rectangular: 24W x 18D x 24H**



**Round**  
20" W x 20" D x 22" H

**Square**  
18" W x 18" D x 22" H

**Rectangular**  
24" W x 18" D x 24" H



**Round**  
24" W x 24" D x 24" H

**Square**  
24" W x 24" D x 24" H

**Rectangular**  
30" W x 22" D x 24" H

DESCRIPTION	FINISH OPTIONS	
<p><b>Fretwork Side Tables:</b> Solid wood table top and base with raised metal inlay.</p> <p><b>Inlay Options:</b> Dark Bronze, Medium Bronze, Satin Brass, or Satin Stainless Steel.</p> <p><b>Custom Orders:</b> Custom sizes, woods and finishes are available. Please request a price quotation.</p>	<p><b>Standard - Natural / Stained:</b></p> <p>Ash, Bronze Ash, Burnt Ash, Ebonized Ash, Grey Ash, Mahogany, Medium Mahogany, Oak, Bluff Oak, Grey Oak, Fumed Oak, Walnut, Medium Walnut, Dark Walnut, Ebonized Walnut, Grey Walnut, Silver Walnut, Terra Walnut, Bronze Walnut, Claro Toned Walnut.</p>	<p><b>Premium - Cerused / Bleached:</b></p> <p>Bleached Ash, Cerused Ash, Cerused Bronze Ash, Cerused Burnt Ash, Cerused Mahogany, Cerused Dark Mahogany, Bleached Walnut, Cerused Walnut, Cerused Grey Walnut, Cerused Silver Walnut, Cerused Bronze Walnut, Cerused Oak.</p>