



Shown: 36" model in Satin nickel and Opal white glass, with ball chain suspension.

## MODEL NUMBER

1920

## DESCRIPTION

Kiln formed glass shade and inner diffuser, copper hardware and ceiling plate. Ball chain or cable suspension.

## FINISH

Deep brown oxide, Deep black oxide or Satin nickel.

## KILN FORMED GLASS

Clear, Opal white, Pale gold, Sand or Seeded opal.

DIMENSIONS	MIN OAL	NET WT
1920.10		
10"W x 10"L x 15"H	19" Min. OAL	15 lbs.
Diffuser: 6"W x 6"L x 15"H		
Ceiling Plate: 6"W x 6"L x .625"H		
1920.12		
12"W x 12"L x 18"H	22" Min. OAL	25 lbs.
Diffuser: 6"W x 6"L x 18"H		
Ceiling Plate: 6"W x 6"L x .625"H		
1920.30		
10"W x 30"L x 12"H	16" Min. OAL	40 lbs.
Diffuser: 6"W x 26"L x 12"H		
Ceiling Plate: 6"W x 26"L x .625"H		
1920.36		
12"W x 36"L x 14"H	18" Min. OAL	50 lbs.
Diffuser: 6"W x 30"L x 14"H		
Ceiling Plate: 6"W x 30"L x .625"H		

## VOLTAGE / LAMP TYPE

1920.10

120V, 8.5W, E26 base, T12 LED filament lamp.

2,700°K, 90 CRI, 800 lumens.

1920.12

120V, 8.5W, E26 base, T12 LED filament lamp.

2,700°K, 90 CRI, 800 lumens.

1920.30

120V, 25.5W (3 x 8.5W), T12 LED filament lamp.

2,700°K, 90 CRI, 2,400 lumens.

1920.36

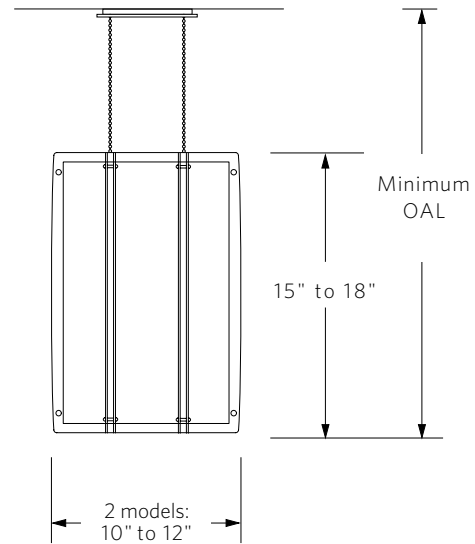
120V, 42.5W (5 x 8.5W), T12 LED filament lamp.

2,700°K, 90 CRI, 4,000 lumens.

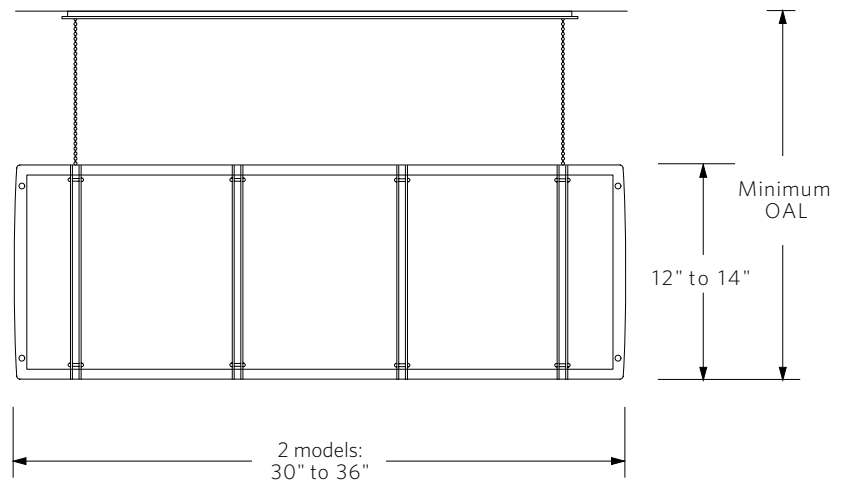
CA Title 24-JA8-2019-E

## PLEASE SPECIFY

Size, finish, glass color, ball chain or cable suspension & OAL (net price includes ball chain / cable for an OAL of up to 48"). Refer to price book for additional chain / cable length. OAL can be adjusted in the field at installation.



Model 1920.10 and 1920.12



Model 1920.30 and 1920.36